

Nominal data

| | | |
|--------------------------|-------------------|-----------|
| Type | 4412 FG | |
| Nominal voltage | VDC | 12 |
| Nominal voltage range | VDC | 8 .. 12.6 |
| Speed | min ⁻¹ | 2900 |
| Power input | W | 5.3 |
| Min. ambient temperature | °C | -20 |
| Max. ambient temperature | °C | 60 |
| Air flow | m ³ /h | 170 |
| Sound power level | B | 5.3 |
| Sound pressure level | dB(A) | 43 |

ml = Max. load · me = Max. efficiency · fa = Running at free air · cs = Customer specs · cu = Customer unit
Subject to alterations

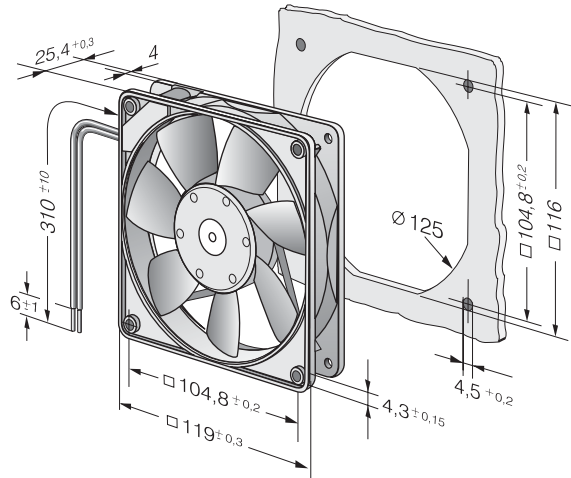
Technical features

| | |
|--|---|
| Housing material | Fibreglass-reinforced plastic (PBT) |
| Impeller material | Fibreglass-reinforced plastic (PA) |
| Mass | 0.170 kg |
| Dimensions | 119 x 119 x 25 mm |
| Direction of air flow | Air exhaust over bars |
| Direction of rotation | Left, looking at rotor |
| Bearing | Sintec sleeve bearing |
| Lifetime L10 at 40 °C | 60000 h |
| Lifetime L10 at maximum temperature | 37500 h |
| Connection line | Single strands AWG 24, TR 64, bared and tin-plated. |
| Motor protection | Protected against reverse polarity and locking. |
| Locked-rotor protection | Blocking and overload protection |
| Approval | VDE, CSA, UL, CE |

4412 FG

DC axial compact fan

Product drawing



Charts: Air flow

